

Model year 2015 SUN ODYSSEY

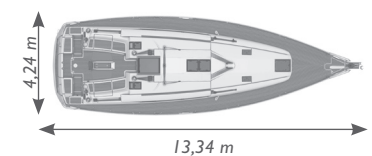
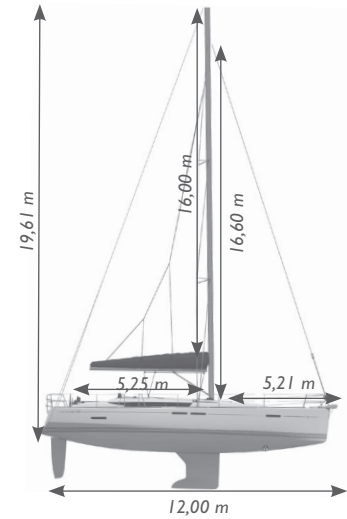
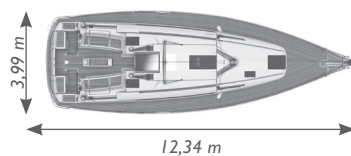
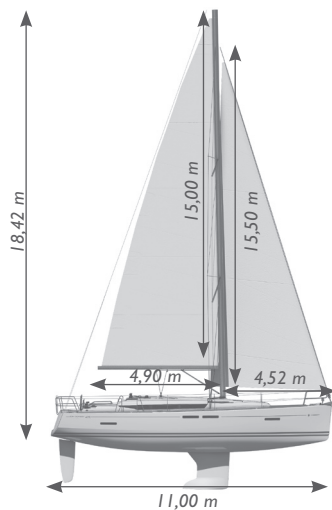
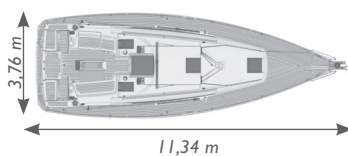
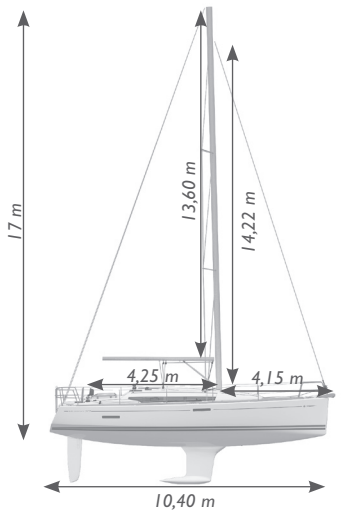
Sun Odyssey 379



Sun Odyssey 409



Sun Odyssey 439



Certification conform with CE regulation.

SO 379 SO 409 SO 439

	SO 379	SO 409	SO 439
SPECIFICATIONS			
Overall length	11,34 m	12,34 m	13,34 m
Hull length	10,98 m	11,99 m	12,99 m
Waterline length	10,40 m	11,00 m	12,00 m
Beam	3,76 m	3,99 m	4,24 m
Displacement light load with deep draft keel	6700 kg	7860 kg	9640 kg
Standard draft cast iron fin keel with elongated bulb and exterior epoxy barrier coat	1,95 m	2,10 m	2,20 m
Standard keel weight	1775 kg	2260 kg	2850 kg
Shoal draft cast iron fin keel with elongated bulb and exterior epoxy barrier coat (double rudders on SO 379)	1,50 m	1,55 m	1,60 m
Shoal keel weight	2039 kg	2470 kg	3150 kg
Swing keel epoxy coated iron keelbox with twin rudders	1,10 - 2,25 m	-	-
Swing keel weight	2313 kg	-	-
CE category	A8 / B9	A9 / B10	A10 / B11
Architect / designer	M. Lombard	P. Briand	P. Briand
Water rotomolded tank located under forward berth with deck fill	200 L	330 L	330 L
Fuel rotomolded tank located under aft berth with deck fill	130 L	200 L	200 L
Holding tank rotomolded tank located in head compartment with valve for overboard discharge via gravity and deck fitting for pump out	80 L	80 L	80 L
Fridge fridge compartment with vertical access	185 L	185 L	185 L
SAILS STANDARD			
Standard mainsail horizontally-cut in high-quality dacron	■ 35 m ²	■ 43,5 m ²	■ 49,5 m ²
Standard headsail 132% horizontally-cut in high-quality dacron	■ 35 m ²	-	-
Standard headsail 106% horizontally-cut in high-quality dacron	-	■ 32,5 m ²	■ 41,5 m ²
Asymmetrical lazy bag in Sunbrella® Taupe fabric with integrated lazy jacks	■	■	■
Performance Headsail 140% in triradial cut mylar/taffeta laminate	-	□ 46,1 m ²	□ 54,7 m ²
Performance Headsail 132% in triradial cut mylar/taffeta laminate	□ 35 m ²	-	-
Performance Headsail 106% in triradial cut mylar/taffeta laminate	-	□ 32,5 m ²	□ 41,5 m ²
Self-tacking jib in triradial cut mylar/taffeta laminate	□ 23,3 m ²	□ 28,2 m ²	□ 35,3 m ²
Performance Mainsail in triradial cut mylar/taffeta laminate	□ 35 m ²	□ 43,5 m ²	□ 49,5 m ²
Inmast furling horizontally-cut in high-quality dacron	□ 27,2 m ²	□ 34,2 m ²	□ 39,3 m ²
Code 0 in triradial cut mylar/aramid laminate	□ 55,2 m ²	□ 70 m ²	□ 76,4 m ²
Symmetrical spinnaker optimal size for the boat (sail not available)	99 m ²	118 m ²	144 m ²
Asymmetrical spinnaker optimal size for the boat (sail not available)	90,4 m ²	109 m ²	133 m ²

■ Standard □ Option - Not available

	SO 379	SO 409	SO 439
SAIL HANDLING			
Genoa winches 2 x Harken 40.2 self-tailing winches	■	-	-
Genoa winches 2 x Harken 46.2 self-tailing winches	-	■	■
Genoa winches 2 x Harken 50.2 self-tailing winches	-	□	□
Coachroof winch Harken 35.2 self-tailing winch to port	■	-	-
Coachroof winch Harken 40.2 self-tailing winches to port	-	■	■
Coachroof winch Harken 35.2 self-tailing with additional winch handle	*	-	-
Coachroof winch Harken 40.2 self-tailing with additional winch handle	-	*	*
Harken "Rewind" electric genoa winches 2 x 46.2 winches that can sheet-in and sheet-out electrically	-	□	□
Electric coachroof winch 1 x Harken 40.2 12v self-tailing in place of standard winch to port	□	PREFERENCE	PREFERENCE
Genoa tracks adjustable Harken lead cars located on coachroof	-	■	■
Genoa tracks adjustable Harken lead cars (located on the side decks)	■	□	□
Ball-bearing track for self-tacking jib	□	□	□
Winch handle 1 Harken winch handle with ball-bearing grip	■	■	■
Mainsheet and genoa sheet lead back to helm station with Spinlock jammers	■	■	■
Line jammers Spinlock, on both sides of coachroof with return blocks	■	■	■
Mainsheet traveller roof-mounted traveller with ball-bearing cars, control lines lead aft to cockpit	■	■	■
Spinnaker deck hardware Spinlock jammers	*	*	*
Asymmetrical spinnaker gear halyard, 2 sheets, tack line lead forward on deck, Harken blocks	□	□	□
MAST AND RIGGING			
Classic mast aluminium with double spreaders	■	■	■
Furling mast	□	□	□
Standing rigging discontinuous 1x19 stainless steel wire	■	■	■
Standing rigging discontinuous Dyform® stainless steel wire	▲	▲	▲
Backstay double	■	■	■
Backstay adjustable via mechanical adjuster	□	□	□
Genoa furler with double slot, attachment to stemhead fitting and furling line lead aft to port helm winch	■	■	■
Running rigging polyester topping lift, mainsail halyard, genoa halyard, mainsheet, genoa sheets	■	■	■
Running rigging Dyneema® mainsail halyard, genoa halyard, mainsheet, genoa sheets	▲	▲	▲
Rigid boom vang with gas cylinder and control line lead aft to the cockpit	*	*	■
COCKPIT			
Wood inlay on cockpit bench seating	■	■	■
Wood cockpit floor inlay	□	□	□
Wood side decks hand-laid wooden side decks	□	□	□
Cockpit lockers 1 locker under bench seat and 1 lazarette locker under the port helm seat	■	-	-
Cockpit lockers 2 lockers under bench seats and 1 lazarette locker under the port helm seat for technical access to steering system	-	■	■
Liferaft locker located in dedicated compartment between helm seats	90x59x34 cm	90x55x34 cm	90x54x34 cm
Storage compartment for companionway door in forward section of liferaft locker	-	■	■
Storage compartment for companionway door in cockpit locker	■	-	-
Line lockers under helm seats for lines from the primary winches, location for deck fills, cockpit speakers and shorepower inlet	-	■	■
Fold down swim platform with telescopic swim ladder	□	■	■
Cockpit table folding table with storage, cup holders, stainless steel handrail, courtesy lighting, 12v plug	PREFERENCE	■	■
Solid wood cockpit table with all the same functions of the standard table, but with wooden leaves	□	□	□
Gas locker located in lazarette locker under starboard helm seat, room for 2 gas bottles with connection to gas system and cut-off valve under stove in the galley	■	■	■
Wheels 2 leather-covered steering wheels with compasses at each steering position and stainless steel grabrails	■	■	■
Black, composite steering wheels	□	□	□
Emergency tiller delivered with the boat, chrome fitting in cockpit floor	■	■	■
Steering wheel covers Sunbrella® Taupe with zips for easy removal	□	□	□
Cockpit table cover Sunbrella® Taupe (with or without GPS)	□	□	□
Instrumentation dedicated space for instruments within easy reach of helm positions, room for GPS chartplotter mounted at aft end of cockpit table with easy viewing from each helm	■	■	■
Engine controls throttle and engine control panel mounted at starboard helm, engine panel includes, RPM gauge, warning lights, ignition	■	■	■
Cockpit shower retractable hot and cold water shower with tap	PREFERENCE	PREMIERE	■
Cockpit cushions Sunbrella® Taupe cushions for seating area with attachment clips	□	□	□
Cockpit bimini Sunbrella® Taupe with stainless steel bows, retractable with storage cover	□	□	□
Cockpit sprayhood wide Sunbrella® Taupe with vinyl windscreen with zip-out middle window for ventilation, retractable	□	□	□
DECK HARDWARE			
Anchor locker room for anchor and tackle, integrated windlass area, holder for windlass handle	■	■	■
Bow pulpit open, stainless steel	■	■	■
Stern pulpits stainless steel with flag holder, buoy bracket	■	■	■
Outboard engine bracket mounted on stern pulpit	□	□	□
Electric windlass Quick 1000W combination rope and chain, vertical-mounted in the anchor locker, hand-held remote, manual handle	□	PREMIERE	■
Windlass control second windlass control mounted in cockpit with chain counter for easy, short-handed anchoring	-	□	□
Anchor roller single stainless steel fitting	■	■	■
Anchor roller double stainless steel fitting with tack point reinforcement	PREMIERE	PREMIERE	PREMIERE
Bow platform with telescopic , stainless steel access ladder	□	□	□
Aft windlass with folding anchor roller, 10 kg Delta anchor and 50m of line	□	□	□
Anchoring kit Delta anchor 16kg with 28 meters of 10mm chain and 40 meters of 18mm line	□	-	-
Anchoring kit Delta anchor 20kg with 32 meters of 10mm chain and 45 meters of 18mm line	-	□	□
Lifelines double level of stainless steel lifelines, stainless steel stanchions	■	■	■
Lifeline gates opening gates on each side	PREFERENCE	PREFERENCE	PREFERENCE
Toerail and drainage for side deck	■	■	■
Wood rubrail for hull protection	□	□	□
Cleats 4 x stainless steel mooring cleats forward and aft	■	■	■
Midship cleats 2 x stainless steel cleats placed on side deck	PREMIERE	PREMIERE	PREMIERE
Mooring kit fenders and docklines	□	□	□
Handrails sculpted, long wood handrails on coachroof for secure movement forward	■	■	■

▲ Performance package * Navigation package ■ Standard □ Option - Not available

TECHNICAL FEATURES AND OPTIONS

CONSTRUCTION

Deck Prisma Process® injected deck, ISO gelcoat surface, discontinuous balsa block coring	■	■	■
Hull solid, hand-laid fibreglass, ISO gelcoat surface, protective barrier coat	■	■	■
Structure inner fibreglass grid, high-load zones cut out, drainage system through structure	■	-	-
Structure 3 rd generation inner fibreglass grid, high-load zones cut out and relaminated, drainage system through structure, special emergency repair zone in keel area	-	■	■

LIGHTING

LED navigation lights and anchor light	PREMIERE	PREMIERE	PREMIERE
Flush mounted LED chromed brass ceiling lights in saloon, head compartments and cabins	■	■	■
Leather-wrapped LED reading lights in forward cabin and aft cabin (s)	■	■	■
Task lighting under side decks in saloon and head compartments	■	■	■
Task LED lighting under furniture in saloon	-	PREFERENCE	PREFERENCE
Gooseneck chart light mounted at nav station	■	■	■

ELECTRICAL

12 v alternator output	125 A	125 A	125 A
Charge distributor/isolator	■	■	■
Engine start battery capacity, batteries located under aft berths	80 Ah	110 Ah	110 Ah
Domestic battery bank capacity, batteries located under aft berths	80 Ah	230 Ah	230 Ah
2 x Extra 80 Ah domestic battery	PREMIERE	-	-
2 x Extra 115 Ah domestic battery	-	PREMIERE	PREMIERE
Positive battery switch for engine and domestic bank and general cut-off switch mounted on panel in aft cabin	■	■	■
Shorepower 220 v inlet with differential breaker, one 220v plug per cabin, 220v plug in galley, saloon and nav station	PREMIERE	PREMIERE	■
40 A battery charger, multi-phase	PREMIERE	-	-
60 A battery charger, multi-phase	-	PREMIERE	PREMIERE
Inverter 2000 W12v/220v	-	-	□
Electrical panel with 12v breakers, 220v breakers, 12v ammeter, 12v consumption meter, 12v charging meter	■	■	■
Solar panels on coachroof 2 x 45W with charging relay	□	□	□
12 v plug per cabin and at nav station	■	■	■
220 v stainless steel microwave, installed in galley cabinet	□	□	□

PLUMBING

Hot and cold pressurised water distributed through-out the boat via semi-rigid hose	■	■	■
"Heavy-duty" water pump and accumulator tank for consistent water pressure	■	■	■
Hot water tank that is connected to engine heat exchanger and to 230 v electrical system	25 L	40 L	40 L
Chromed shower faucets in washrooms	■	■	■
Electric bilge pump on float switch and manual dual-action pump in the cockpit	■	■	■
Extra fresh water tank 130L located under aft starboard berth	□	-	-
Extra fresh water tank 200L located under aft starboard berth	-	□	□
Digital water level display	■	■	■
Shower sumps equipped with individual electric pumps with filters and on-off switches	■	■	■
Large manual pump marine toilets	■	■	■
Electric Quiet-Flush toilets in place of standard, available for each head compartment	□	□	□
80 litre holding tank with gravity drain and deck fitting for forward starboard head (port aft head equipped with standard 80L tank)	-	□	□

ENGINE AND STEERING

Yanmar 3YM30 29 HP , 21Kw Sail drive	■	-	-
Yanmar 3JH5-CE 40 HP , 29.4 Kw Sail Drive	-	■	-
Yanmar 4JH5-CE 54 HP , 39.6 Kw Sail Drive	-	-	■
Fully soundproofed engine compartment with engine access behind stairwell and from aft cabin	■	■	■
Fuel / water separator	■	■	■
Built-in muffler, forced air ventilation and stainless steel exhaust fitting aft	■	■	■
Fixed 3-blade propeller	■	■	■
Folding propeller, 3-blade, Flex-o-Fold	▲	▲	▲
Bow thruster installed in a tunnel with dedicated batteries	□	-	-
Bow thruster installed in a tunnel with dedicated batteries	-	□	□
Fibreglass rudder	■	■	■

COMFORT FEATURES AND OPTIONS

Fixed hull ports	4	8	8
Opening cockpit and roof ports	2	2	2
Lateral fixed windows	6	6	6
Opening ports integrated into lateral windows	2	2	2
Opening deck hatches	4	6	7
Combination shade/insect screens for deck hatches	PREMIERE	PREMIERE	PREMIERE
Simrad audio docking station SonicHub	PREFERENCE	PREFERENCE	PREMIERE
BOSE® 2.1 speaker system ACCOUSTIMASS 3, speakers with base unit in saloon	-	-	PREMIERE
Saloon stereo speakers x 2	PREFERENCE	PREFERENCE	-
Cockpit speakers x 2, watertight	PREFERENCE	PREFERENCE	PREMIERE
LED TV 23" mounted on an articulating arm on main saloon bulkhead to port of the forward cabin doorway and DVD player	-	□	□
Amplified antenna for TV for masthead mounting	-	□	□
Air Conditioning 220v 16000 BTU 1 unit installed under saloon seating, vents in saloon, forward and aft cabins control panel and thermostat (for 2 cabin version only)	□	-	-
Air Conditioning 220 v 24000 BTU 2 units installed under saloon seating and in stern, vents in saloon, head compartments and forward and aft cabins control panel and thermostat	-	□	-
Air Conditioning 220 v 32000 BTU 1 unit installed in the stern, 1 unit installed in the saloon and 1 unit installed in the forward cabin, vents in saloon, head compartments and forward and aft cabins control panel and thermostat	-	-	□
Forced air heating 1 unit 5500 BTU Webasto® diesel heater installed in stern, vents in aft cabin, saloon and head compartments	□	□	□
Forced air heating 1 unit 5500 BTU + 1 unit 2000 BTU Webasto® diesel heater installed in stern, vents in aft cabin, saloon and head compartments (only for the 4 cabins version)	-	-	□

▲ Performance package * Navigation package ■ Standard □ Option - Not available

	SO 379		SO 409			SO 439			
	2CI/H	3CI/H	2CI/H	3CI/H	3CI/2H	2CI/2H	2CI/2H	3CI/2H	4CI/2H
INTERIOR FEATURES AND OPTIONS									
WOOD									
Fine Teak® interior laminated panels with solid wood trim around galley, companionway and cabinetry, finished in satin UV stabilised varnish	■	■	■	■	■	■	■	■	■
Light oak laminate floorboards	■	■	■	■	■	■	■	■	■
Laminate floorboards with light-coloured stripes and varnished edges	-	-	□	□	□	□	□	□	□
Dark oak laminate floorboards	-	-	□	□	□	□	□	□	□
FORWARD CABIN									
Forward owner's cabin with central berth and storage forward of the berth	■	■	■	■	■	■	■	■	-
Double berth, with wood trim, high-density foam mattress	2,07 x 1,85 m	2,07 x 1,85 m	2,10 x 2,00 m	2,10 x 2,00 m	2,10 x 2,00 m	2,10 x 2,00 m	2,14 x 2,00 m	2,14 x 2,00 m	-
Deep cabinet with shelves and hanging rod	2	2	2	2	1	1	1	1	-
White vinyl lining on hull with lateral wood shelf	■	■	■	■	■	■	■	■	-
Desk/vanity with leatherette lining and fold-up mirror, reading light and chair with backrest	-	-	□	□	-	-	■	■	-
Private forward head compartment with sink, clothes hook, mirror, towel holder, toilet paper holder, cabinet above sink and electric drainage pump	-	-	-	-	■	■	■	■	-
Plexiglass folding door for separate shower compartment	-	-	-	-	-	-	PREMIERE	PREMIERE	-
Double forward cabins with 2 single bunk berths and forward V-berth	-	-	-	-	-	-	-	-	■
Double berth with wood trim, high-density foam mattress	-	-	-	-	-	-	-	-	2,14 x 2,00 m
Twin single bunks in separate cabin with storage locker	-	-	-	-	-	-	-	-	2,11 x 0,70 m
Deep cabinet with shelves and hanging rod	-	-	-	-	-	-	-	-	■
White vinyl lining on hull with lateral wood shelf	-	-	-	-	-	-	-	-	■
Forward head compartment with sink, clothes hook, mirror, towel holder, toilet paper holder, cabinet above sink and electric drainage pump	-	-	-	-	-	-	-	-	■
Plexiglass folding door for separate shower compartment	-	-	-	-	-	-	-	-	PREMIERE
AFT CABIN									
Aft owner's cabin with access to starboard and large berth	■	-	■	-	-	■	■	-	-
Double berth with high-density foam mattress	2,02 m x 1,94 m	-	2,00 m x 1,78 m	-	-	2,00 m x 1,78 m	2,00 m x 1,85 m	-	-
Deep cabinet with shelves and hanging rod	■	-	■	-	-	■	■	-	-
White vinyl lining on hull with lateral wood shelf	■	-	■	-	-	■	■	-	-
Large head compartment aft with sink, clothes hook, mirror, towel holder, toilet paper holder, cabinet above sink and electric drainage pump	■	-	■	-	-	■	■	-	-
Plexiglass folding door for separate shower compartment	PREMIERE	-	PREMIERE	-	-	PREMIERE	PREMIERE	-	-
Stainless steel hanging bar	-	■	■	■	■	■	■	-	-
Locker and technical compartment with double access from cockpit and through head with 2 storage baskets and lighting	■	-	■	-	-	■	■	-	-
Twin aft cabins	-	■	-	■	■	-	-	■	■
Double berths, high-density foam	-	2,02 m x 1,58 m	-	2,00 m x 1,57 m	2,00 m x 1,57 m	-	-	2,00 m x 1,60 m	2,00 m x 1,60 m
Deep cabinet with shelves and hanging rod per cabin	-	■	-	■	■	-	-	■	■
White vinyl lining on hull with lateral wood shelf	-	■	-	■	■	-	-	■	■
Head compartment aft with sink, separate shower, clothes hook, mirror, towel holder, toilet paper holder, cabinet above sink, electric drainage pump, access from saloon	-	■	-	■	■	-	-	■	■
Stainless steel hanging bar	-	■	■	■	■	■	■	-	-
Plexiglass folding door for separate shower compartment	-	PREMIERE	-	PREMIERE	PREMIERE	-	-	PREMIERE	PREMIERE
NAVIGATION STATION									
Navigation station full-function with general electrical panel and bookshelf	■	■	■	■	■	■	■	■	■
Central nav desk with leatherette lining and interior storage	-	-	■	■	■	■	■	■	■
Hanging locker	■	-	-	-	-	-	-	-	-
SALOON									
Saloon with U-shaped seating area to starboard, wrap-around cushions and storage under seating area	■	■	■	■	■	■	■	■	■
Saloon dining table with wood fiddles, removable pedestal legs	■	■	■	■	■	■	■	■	■
Luxury saloon table with folding leaves and central bar cabinet	□	□	-	-	-	-	-	-	-
Luxury salon table with central bar unit, folding top, and sliding tracks to transform into double berth	□	-	□	□	□	□	□	□	□
Saloon berth conversion kit	□	□	□	□	□	□	□	□	□
Storage cabinets along hull sides	■	■	■	■	■	■	■	■	■
Lounge seating to port with plush cushions and upper storage cabinets	■	■	■	■	■	■	■	■	■
2 removable stools for saloon with tie-down kit	-	-	□	□	□	□	□	□	□
Companionway with wood steps and non-slip strips	■	■	■	■	■	■	■	■	■
Plexiglass companionway door with dedicated storage location	■	■	■	■	■	■	■	■	■
GALLEY									
Galley with double stainless steel sinks with covers, solid countertops, chrome plumbing fittings, storage cabinets and drawers	■	■	■	■	■	■	■	■	■
L-galley to port with glass separator between galley counter and seating area	■	■	■	■	■	■	■	■	■
Storage compartment for books and magazines built into the galley façade	■	■	■	■	■	■	■	■	■
Gimballed 2-burner stove with oven with stainless steel protection bar	■	■	■	■	■	■	■	■	■
Luxury 2-burner stove with black finish, wood handle, stainless steel oven/broiler	PREMIERE	PREMIERE	PREMIERE	PREMIERE	PREMIERE	PREMIERE	PREMIERE	PREMIERE	PREMIERE
Single fridge box with freezer area, wire baskets, 12v refrigeration and integrated compressor	■	■	■	■	■	■	■	■	■
Vertical fridge door	PREFERENCE	PREFERENCE	PREFERENCE	PREFERENCE	PREFERENCE	PREFERENCE	PREFERENCE	PREFERENCE	PREFERENCE
HEAD ROOM									
Forward cabin	1,80 / 1,84 m		1,84 m			1,88 m			
Aft cabin (s)	1,90 m		1,95 m			1,97 m			
Companionway	1,93 m		1,94 m			1,97 m			
Saloon	1,81 / 1,92 m		1,92 m			1,96 m			
Galley	1,88 m		1,91 m			1,95 m			



JEANNEAU

Ets JEANNEAU - BP 529 - 85505 LES HERBIERS CEDEX - FRANCE - TEL +33 (0)2 51 64 20 20 - FAX +33 (0)2 51 67 37 65

INTERNET : <http://www.jeanneau.com>

■ Standard □ Option - Not available C = Cabins H = Head

